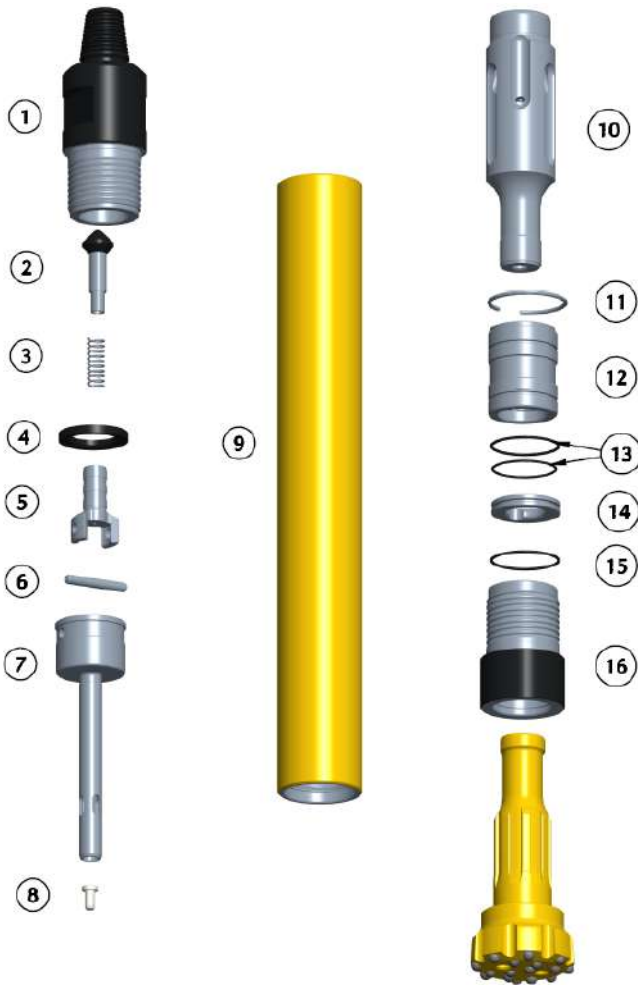




KGR D45 HAMMER



Item	Part Number	Description	Wt in Kgs
	KGRD45AS01	KGR-D45 (2 3/8" A.P.I Reg. Pin)	46.4
1	KD45TS01	Top Sub (2 3/8" A.P.I Reg. Pin)	9.35
2	KD45CV01	Check Valve	
3	KD45SG01	Spring	
4	KD45BG01	Buffer Ring	
5	KD45TV01	Top Valve	0.6
6	KD45LP01	Lock Pin	
7	KD45CT01	Control Tube	2.4
8	KD45CK01	Choke	
9	KD45WS01	Wear Sleeve	17.2
10	KD45PS01	Piston	9.05
11	KD45PR01	Piston Retainer Ring	
12	KD45OR01	"O" Rings For Guide Bush	
13	KD45GB01	Guide Bush	2.7
14	KD45OR02	"O" Ring For Bit Retainer Ring	
15	KD45BR01	Bit Retainer Ring	0.4
16	KD45FC01	Front Chuck	4.0
		Service Kit(Item 2,3,8,13&14)	

Specifications

	Metric	Imperial
Hammer Outside Diameter	107mm	4.21"
Hammer Length (Without Bit, Top Sub to Front Chuck)	976mm	38.42"
Hammer Weight (Without Bit)	46.4Kg	102.3Lbs
Drill Bit Shank Type	D45	
Drill Bit Hole Size	121mm-140mm	4.75"-5.5"
Piston Weight	9.05 Kg	19.95"Lbs
Piston Stroke	90mm Approx.	3.54" Approx.
Top Sub Spanner Flat Size	76mm A/F	3" A/F

D45 Air Consumption, CFM

PSI	150	200	250	300	350
CFM	230	400	580	730	880