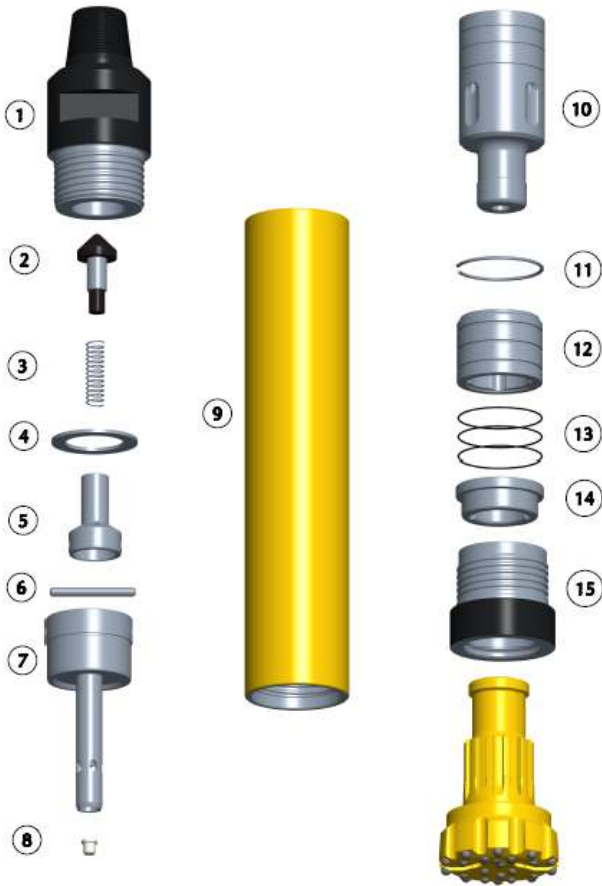




KGR D85 HAMMER



Item	Part Number	Description	Wt in Kgs
	KGRD85AS01	KGR-D85 (4 1/2" A.P.I. Reg. Pin)	150
1	KD85TS01	Top Sub (4 1/2" A.P.I. Reg. Pin)	35.4
2	KD85CV01	Check Valve	0.5
3	KD85SG01	Spring	
4	KD85MS01	Top Sub Metal Spacer	
5	KD85TV01	Top Valve	1.6
6	KD85LP01	Lock Pin	0.2
7	KD85CT01	Control Tube	10.9
8	KD85CK01	Choke	
9	KD85WS01	Wear Sleeve	52
10	KD85PS01	Piston	27
11	KD85PR01	Piston Retainer Ring	
12	KD85GB01	"O" Rings For Guide Bush	
13	KD85OR01	Guide Bush	8.3
14	KD85BR01	Bit Retainer Ring	1.5
15	KD85FC01	Front Chuck	12
Service Kit(Item 2,3,8&7)			

Specifications	Metric	Imperial
Hammer Outside Diameter	177mm	6.97"
Hammer Length (Without Bit, Top Sub to Front Chuck)	1040mm	40.94"
Hammer Weight (Without Bit)	150Kg	330.7Lbs
Drill Bit Shank Type	D85(S82)	
Drill Bit Hole Size	203mm-305mm	8"-12"
Piston Weight	27 Kg	59.5Lbs
Piston Stroke	85mm Approx.	3.34" Approx.
Top Sub Spanner Flat Size	115mm A/F	4.5" A/F

D85 Air Consumption, CFM

PSI	100	200	300	400	500
CFM	215	605	1110	1710	2360