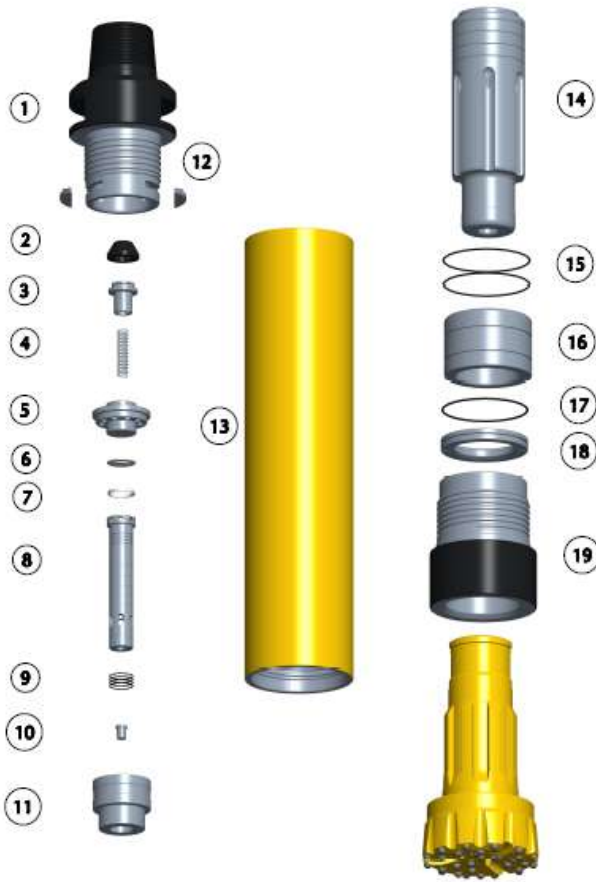




# KGR SD10 HAMMER



Item	Part Number	Description	Wt in Kgs
	<b>K10SDAS01</b>	<b>KGR-SD10 (6 5/8" A.P.I. Reg. Pin)</b>	<b>309</b>
1	K10SDTS01	Top Sub (6 5/8" A.P.I. Reg. Pin)	49.8
2	K10SDCC01	Check Valve Cap	
3	K10SDCV01	Check Valve	
4	K10SDSG01	Spring	
5	K10SDAD01	Air Distributor	2.2
6	K10SDNB01	Nylon Bush	
7	K10SDNR01	Nylon Ring	
8	K10SDCT01	Control Tube	2.85
9	K10SDOR01	'O' Rings For Control Tube	
10	K10SDCK01	Choke	
11	K10SDCH01	Control Tube Head	3.2
12	K10SDLP01	Lock Plate	
13	K10SDWS01	Wear Sleeve	151.2
14	K10SDPS01	Piston	51.5
15	K10SDOR02	'O' Ring For Guide Bush	
16	K10SDGB01	Guide Bush	11.2
17	K10SDOR03	'O' Ring For Bit Retainer Ring	
18	K10SDBR01	Bit Retainer Ring	2.75
19	K10SDFC01	Front Chuck	35.9
Service Kit(Item 2,3,4,9,10,15&17)			

Specifications	Metric	Imperial
Hammer Outside Diameter	232mm	9.13"
Hammer Length (Without Bit, Top Sub to Front Chuck)	1183mm	46.57"
Hammer Weight (Without Bit)	309Kg	681.2Lbs
Drill Bit Shank Type	SD10	
Drill Bit Hole Size	254mm-381mm	10"-15"
Piston Weight	51.5 Kg	113.53"Lbs
Piston Stroke	85mm Approx.	3.34" Approx.
Top Sub Spanner Flat Size	165mm A/F	6.5" A/F

### SD10 Air Consumption, CFM

<b>PSI</b>	150	200	250	300	350	400
<b>CFM</b>	550	850	1190	1520	1900	2420